

FOUR POST LIFT

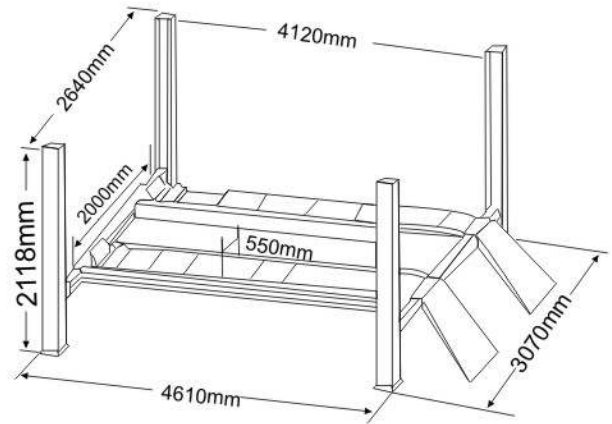
FPL-800WJ



FEATURES

FPL-800WJ is designed for Wheel Alignment, Tyre Changing, Checking & adjustment of wheels. It can also be used for car maintenance jobs. The equipment comes with secondary lifting mechanism which enables the technician to perform the job with ease. It is featured with unique design, well-selected materials, novel appearance and advanced workmanship. It is ideal equipment for maintenance, care, tyre-changing and comprehensive test, check and adjustment of each positioning parameter of the four wheels of all sorts of auto. Secondary lifting mechanism is equipped with automatic / manual device. "Diamond Plate" runway surface have been provided.

OVERALL STRUCTURE SIZE (mm)



SPECIFICATIONS

Model	FPL-8000 WJ
Lifting Capacity	3.5 Ton
Min. Ground Clearance	150 mm
Max. Ground Clearance	1750 mm
Power of Motor	2.2 KW
Power Supply	440 V / 220 V
Hydraulic	N46
Secondary Lift Height	340 mm
Secondary Lift Weight	2000 Kg.
Outer Dimension	4610 x 3070 x 2118 mm
Net Weight	1100 Kg.